

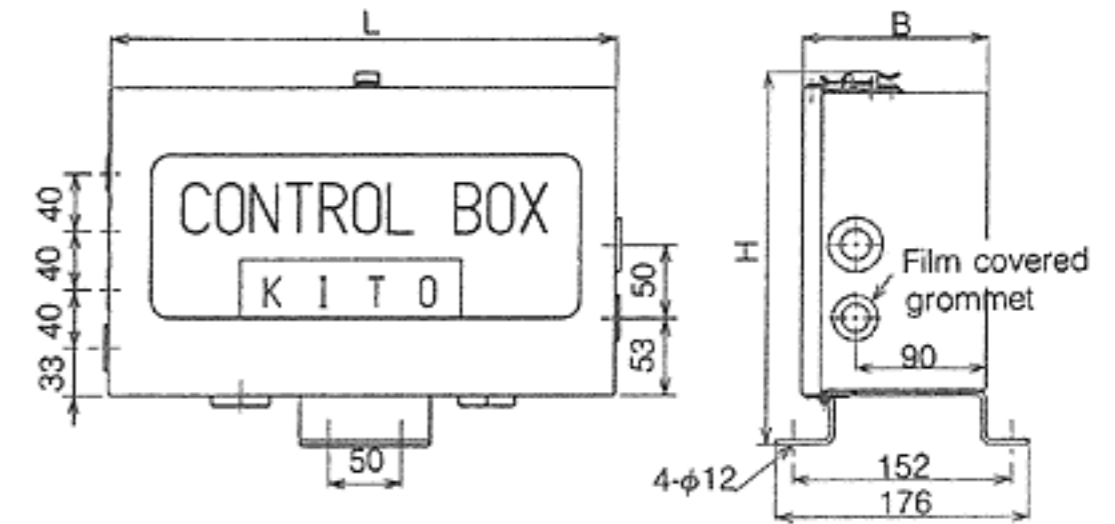
CONTROL BOXES

(For ERM)

This flier describes updated specifications of Control Boxes and supersedes the data in the catalogue Page 30 due to design change of the Electromagnetic Contactors.

For electric chain hoist (ERM)

This control box contains a built-in electromagnetic contactor and pendant control 48V (other voltages are available as option) transformer. Two series (with and without emergency stop device) are available with a built-in electromagnetic contactor.



Type	Code	Emergency stop device	Geared motor output	Power supply		Pendant control voltage	Rated current		Dimensions (mm)			Mass (Netweight) (kg)
				Rated voltage	Working voltage range		Control box	Traveling	H	B	L	
Single speed	SBM015S-H	M8NH010S	0.75kWx2	220V 60Hz	±10%	48V	42A	11A	256	128	348	6
	SBM015S-X	M8NX010S						7A				
	SBM015S-S	M8NS010S						11A				
	SBM015S-M	M8NM010S						11A				
	SBM015S-C	M8NC010S						11A				
	SBM015SN-H	M8NH010M	0.75kWx2	220V 60Hz	±10%	48V	42A	11A	256	128	348	7
	SBM015SN-X	M8NX010M						7A				
	SBM015SN-S	M8NS010M						11A				
	SBM015SN-M	M8NM010M						11A				
	SBM015SN-C	M8NC010M						11A				
	SBM030S-H	M8NH011S	1.5kWx2	220V 60Hz	±10%	48V	73A	20A	300	133	390	7
	SBM030S-S	M8NS011S						20A				
	SBM030S-M	M8NM011S						20A				
	SBM030S-C	M8NC011S						20A				
	SBM030SN-H	M8NH011M						20A				
SBM030SN-S	M8NS011M	1.5kWx2	220V 60Hz	±10%	48V	73A	20A	300	133	390	8	
SBM030SN-S	M8NS011M						20A					
SBM030SN-M	M8NM011M						20A					
SBM030SN-M	M8NM011M						20A					
SBM030SN-C	M8NC011M						20A					
Dual speed	SBM015SD-H	M8HH010S	0.75kWx2	220V 60Hz	±10%	48V	42A	11A	300	133	390	8
	SBM015SD-X	M8HX010S						7.5A				
	SBM015SD-S	M8HS010S						11A				
	SBM015SD-M	M8HM010S						11A				
	SBM015SD-C	M8HC010S						11A				
	SBM015SDN-H	M8HH010M	0.75kWx2	220V 60Hz	±10%	48V	42A	11A	300	133	440	10
	SBM015SDN-X	M8HX010M						7.5A				
	SBM015SDN-S	M8HS010M						11A				
	SBM015SDN-M	M8HM010M						11A				
	SBM015SDN-C	M8HC010M						11A				
	SBM030SD-H	M8HH011S	1.5kWx2	220V 60Hz	±10%	48V	73A	20A	300	133	440	9
	SBM030SD-S	M8HS011S						20A				
	SBM030SD-M	M8HM011S						20A				
	SBM030SD-C	M8HC011S						20A				
	*SBM030SDN-H	M8HH011M						20A				
*SBM030SDN-S	M8HS011M	1.5kWx2	220V 60Hz	±10%	48V	—	—	—	—	—	—	
*SBM030SDN-S	M8HS011M						—					
*SBM030SDN-M	M8HM011M						—					
*SBM030SDN-C	M8HC011M						—					

*Available on your request.

•Environment: Ambient temperature: -10 to 40°C (No freezing) Installation site: Indoor, free of dust and corrosive gases.

•Dust and water protection : IP20 (Specified by I.E.C.)

•Color: Munsell 6YR6/14

•220/440V and 575V 60Hz (for CSA) boxes available on request.

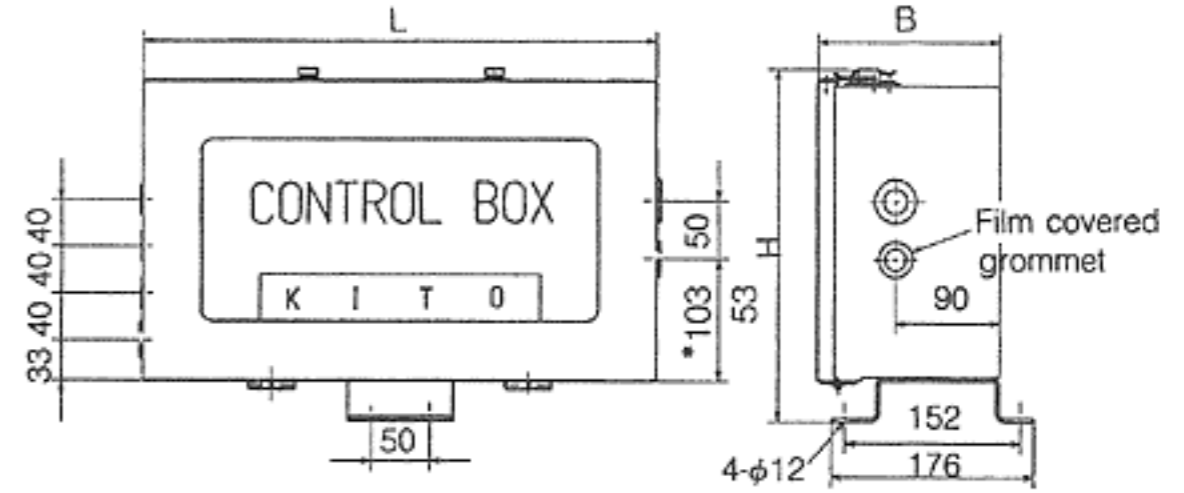
CONTROL BOXES

(For Type F and Type K Wire Rope Hoists)

This flier describes specifications of Control Boxes for Type "F" and "K" Wire Rope Hoists. As Type "S" and "S2" Wire Rope Hoists were discontinued models, data described in this flier supersedes the data in the catalogue Page 31.

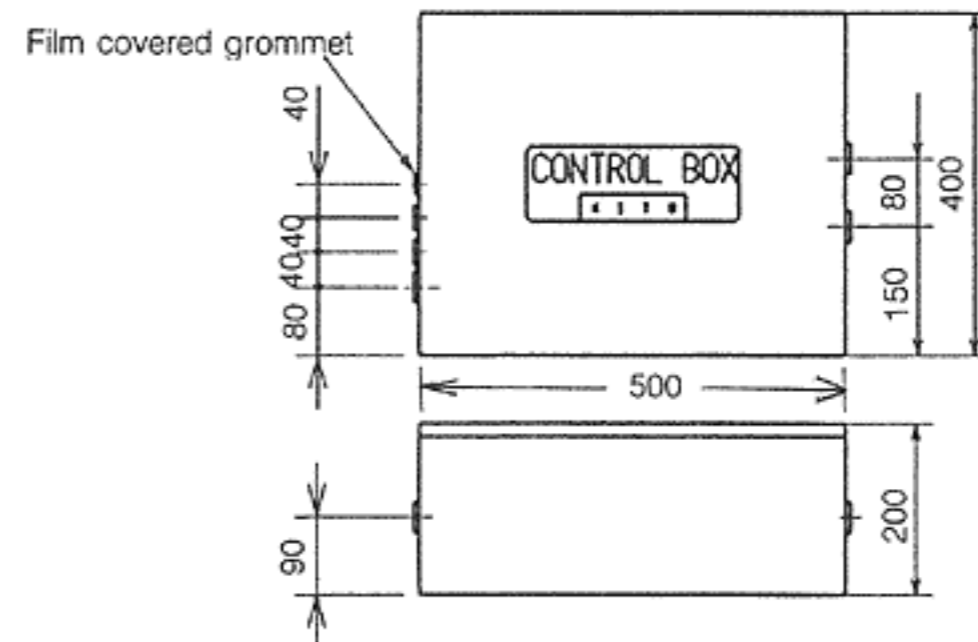
For wire rope hoist

This control box contains a built-in electromagnetic contactor for controlling travel. Two series (with and without emergency stop device) are available with a built-in electromagnetic contactor



	Type	Code	Emergency stop device	Geared motor output	Power supply		Pendant control voltage	Rated current		Dimensions (mm)			Mass (Netweight) (kg)		
					Rated voltage	Working voltage range		Control box	Traveling	H	B	L			
Single speed	SBH008S-H	M8NH005A	Without	0.25kWx2	220V 60Hz	±10%	220V	50A	11A	256	128	348	7		
	SBH008S-X	M8NX005A			380,415V 50Hz		48V		7A						
	SBH008SN-H	M8NH005G	With	0.4kWx2	220V 60Hz		220V	50A	11A	300	158	440	8		
	SBH008SN-X	M8NX005G			380,415V 50Hz		48V		7A						
	SBH015S-H	M8NH010A	Without	0.75kWx2	220V 60Hz		±10%	220V	70A	11A	256	128	348	7	
	SBH015S-X	M8NX010A			380,415V 50Hz			48V		7A					
	SBH015SN-H	M8NH010G	With	0.75kWx2	220V 60Hz			220V	70A	11A	300	158	438	9	
	SBH015SN-X	M8NX010G			380,415V 50Hz			48V		7A					
	SBH030S-H	M8NH011A	Without	1.5kWx2	220V 60Hz			±10%	220V	100A	20A	300	133	390	8
	SBH030S-X	M8NX011A			380,415V 50Hz				48V		10A				
* Dual speed	SBH008SD-H	M8NH005F	Without	0.25kWx2	220V 60Hz	±10%			220V	-	-	-	-	-	
	SBH008SD-X	M8NX005F			380,415V 50Hz				48V						
	SBH008SDN-H	M8NH005H	With	0.4kWx2	220V 60Hz				220V	-	-	-	-	-	-
	SBH008SDN-X	M8NX005H			380,415V 50Hz				48V						
	SBH015SD-H	M8NH010F	Without	0.75kWx2	220V 60Hz		±10%		220V	-	-	-	-	-	
	SBH015SD-X	M8NX010F			380,415V 50Hz				48V						
	SBH015SDN-H	M8NH010H	With	0.75kWx2	220V 60Hz				220V	-	-	-	-	-	-
	SBH015SDN-X	M8NX010H			380,415V 50Hz				48V						
	SBH030SD-H	M8NH011F	Without	1.5kWx2	220V 60Hz			±10%	220V	-	-	-	-	-	
	SBH030SD-X	M8NX011F			380,415V 50Hz				48V						

- *Available on your request.
- Environment: Ambient temperature: -10 to 40°C (No freezing) Installation site: Indoor, free of dust and corrosive gases.
- Dust and water protection : IP20 (Specified by I.E.C.)
- Color: Munsell 6YR6/14



	Type	Code	Emergency stop device	Geared motor output	Power supply		Pendant control voltage	Rated current		Mass (Netweight) (kg)
					Rated voltage	Working voltage range		Control box	Traveling	
Single speed	SBH030SN-H	M8NH011G	With	1.5kWx2	220V 60Hz	±10%	220V	100A	20A	17
	SBH030SN-X	M8NX011G			380,415V 50Hz		48V		10A	

- Environment: Ambient temperature: -10 to 40°C (No freezing) Installation site: Indoor, free of dust and corrosive gases.
- Dust and water protection : IP20 (Specified by I.E.C.)
- Color: Munsell 6YR6/14