

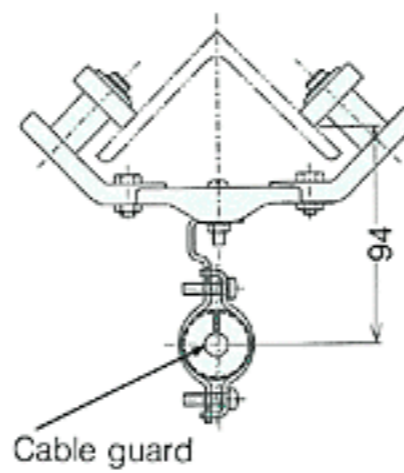
# CABLE HANGERS

## Angled hanger

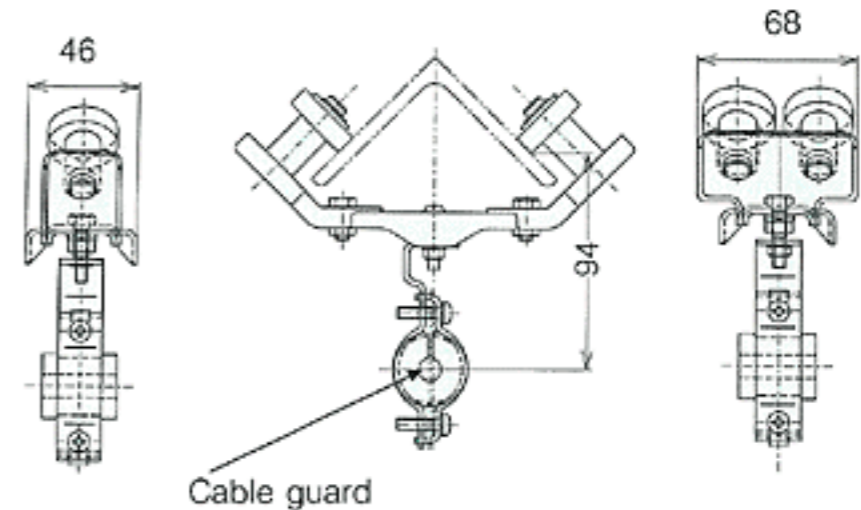
This hanger uses an angle steel to hang power supply cables. The THLP type is used to hang push-button cord.



●THLT type



●THLP type

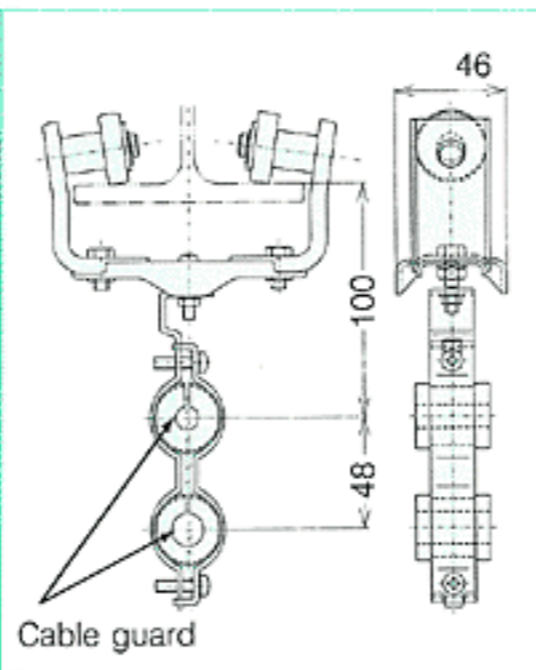


Type	Code	Angle steel width	Cable size
THLT26S-75	N6TY075E	L-50 x 50 x 6 to L-75 x 75 x 9	φ10 to φ26
THLP26S-75	N6TD075E		

## T-type hanger for wire rope hoists

This hanger is used to hang power supply cables and is suited for all sizes of cable and rails.

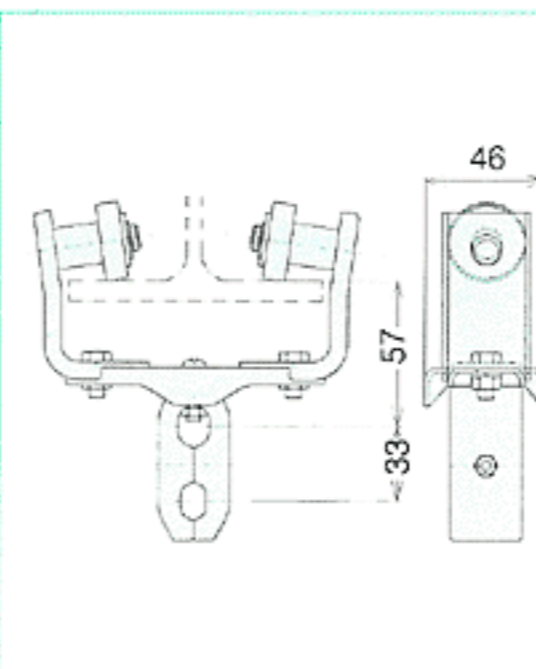
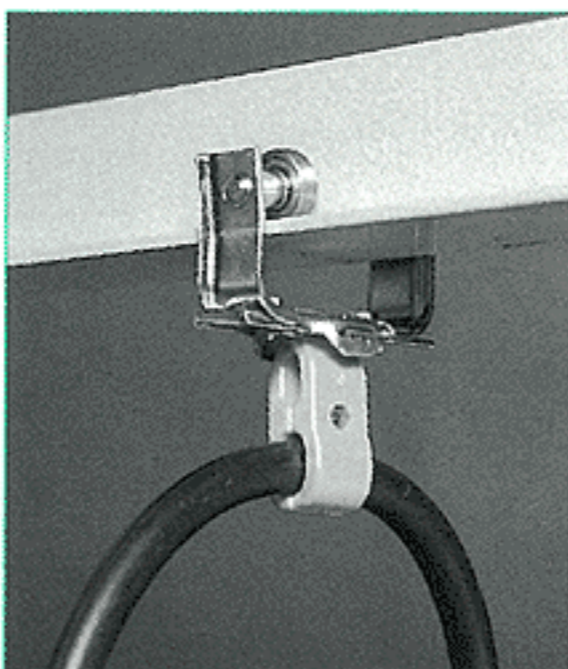
- Suited for hanging dynamic and operation cables for rope hoists.



Type	Code	Rail width	Cable size		
			Upper	Lower	
THI19W-100V	N6TT100V	75 to 100	φ10 to φ22		
THI19W-150V	N6TT150V	125 to 150			
THI19W-175V	N6TT175V	175			
THI26W-100V	N6TR100V	75 to 100	φ22.1 to φ26	φ10 to φ22	
THI26W-150V	N6TR150V	125 to 150			
THI26W-175V	N6TR175V	175			

## T-type hanger for electric chain hoist (ERM)

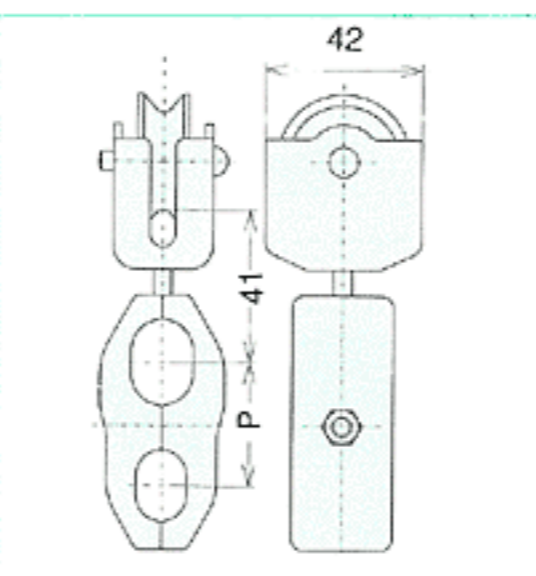
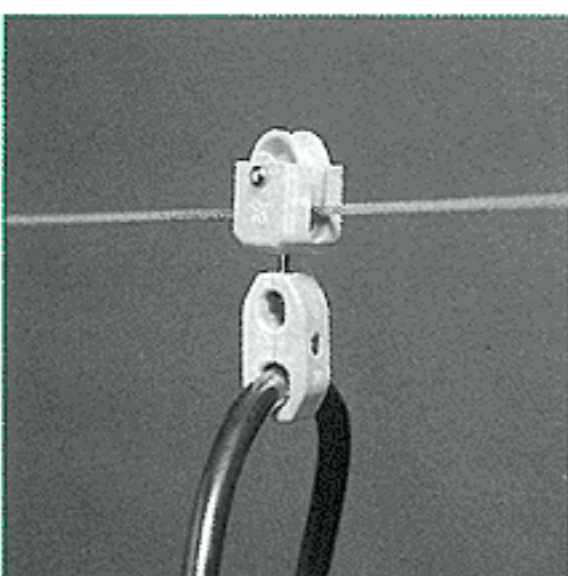
This hanger is used to hang power supply cables. It is applicable to all sizes of cable and rail widths, and is suited for compound cables.



Type	Code	Rail width	Cable size
TTH19S-100V	T1AR200 (new)	76 to 152mm	φ16.8 or φ19.4 to φ19.5
TTH29S-175V	T1AR275	127 to 178mm	
TTH21S-100V	T1AH200 (new)	76 to 152mm	φ16.8 or φ22.3
TTH21S-175V	T1AM275	127 to 178mm	

## Cable hanger

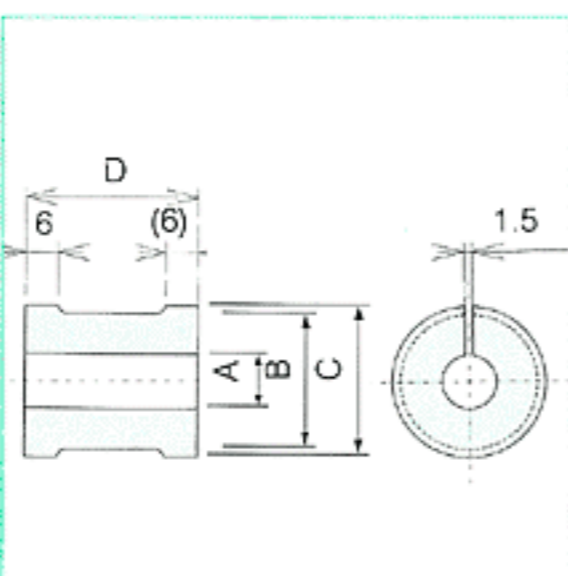
This hanger is used to hang power supply cables with messenger wires.



Type	Code	Messenger wire	Cable size	P
CH19S	M3YS010	φ4 to φ6	φ16.8 or φ19.4 to φ19.5	29
CH21S	M7HE010S		φ16.8 or φ22.3	33

## Cable guard

This guard is used to protect cables strung from T-type and angled hangers.



Type	Code	Cable size	φA	φB	φC	D
CG13	N6TA100E-122	φ10 to φ13	10	25	28	32
CG16	N6TA100E-123	φ13.1 to φ16	13	26	28	32
CG19	N6TA100E-124	φ16.1 to φ19	16	26	28	32
CG22	N6TA100E-125	φ19.1 to φ22	19	26	28	32
CG26	N6TA100E-126	φ22.1 to φ26	22	34	37	32