



ELECTRIC
CHAIN
HOIST

ED III SERIES

SINGLE-PHASE

Compact!
Light!
Easy!

New Capacity
480kg



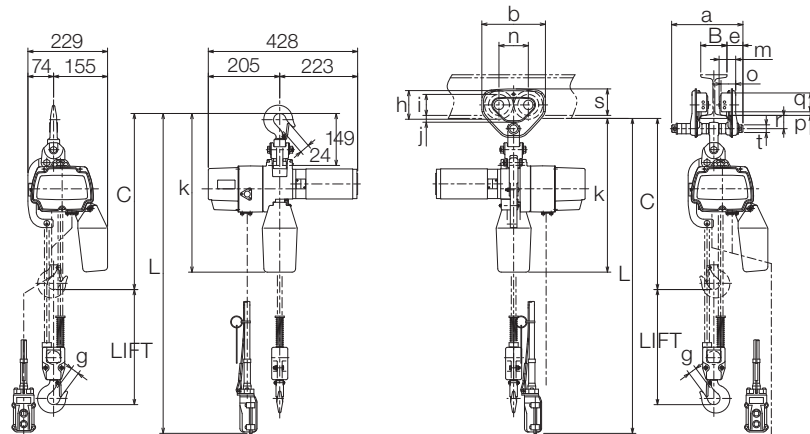
New capacity 480kg is available to ED III Series.

**ED III
SERIES**

SINGLE-PHASE

AC120V or 240V Available to use at voltage from 110V to 120V or 220V to 240V.

New Capacity 480kg



**High strength, wear and rust resistant
Nickel plated Load Chain**

Power Supply		Single Phase 120V or 240V 50Hz/60Hz			
Type		Single speed		Dual speed	
Model		ED48S	ED48S+PT*1	ED48ST	ED48ST+PT*1
W.L.L. (kg)		480			
Motor output (W)		600			
Time rating (min)		15			
Intermittent duty	%ED	30			
	Max.start frequency (Times per hour)	180			
Rated current (A)	120V	10			
	240V	5			
Lifting speed (m/min)	High	6.7			
	Low	—		2	
Standard Lift (m)		3			
Push button cord length L (m)		2.5			
Load chain diameter (mm)		4			
IP (Degree of protection)		IP54			
Mass (Net weight)*2 (kg)		21(21.5)	25(25.5)	21(21.5)	25(25.5)
Minimum distance C (mm)		520			
Flange width adjustability B (mm)		—	50 to 102	—	50 to 102
Minimum radius for curve (mm)		—	1100	—	1100
Dimension (mm)	k	454			
	g	24			
	a	—	204	—	204
	b	—	182	—	182
	e	—	46	—	46
	h	—	82	—	82
	i	—	60	—	60
	j	—	19	—	19
	s	—	76	—	76
	m	—	47.5	—	47.5
	n	—	84	—	84
	o	—	42	—	42
	p	—	10	—	10
	q	—	54	—	54
r	—	38	—	38	
t	—	22	—	22	

- *1: Connected with Plain trolley (Geared trolley is also available on request)
- *2: Mass (Net weight) in parenthesis are at Low voltage control 30V.
- W.L.L.: Indicates maximum mass (working load limit) which a hoist is designed to support in general service.
- Control: Direct control is standard. Low Voltage is available upon request.
- Power supply cable: 2mm² x 3 core 5m with grounding wire.
- The lifting speed is equal to the average value of the lifting/lowering speed at the rated load. The Lifting speed will vary according to the load.

Specifications and dimensions are subject to change without notice.



KITO CORP

Tokyo Opera City 16th Floor,
3-20-2 Nishi-Shinjuku, Shinjuku-ku, Tokyo 163-1416, JAPAN
TEL: +81-3-5371-7315, +81-3-5371-7341
FAX: +81-3-5371-7349
E-mail: overseas@kito.co.jp
URL: <http://www.kito.co.jp>



Distributed by:

