



KITO Chain Hoist,  
Highly Compact!  
Newly released!

KITO CHAIN HOIST **CX** 250kg  
**CX003**

# Compact, Light weight and Simple design!

Integral aluminum body  
and lightweight of only 2.4kg.  
High portability to carry everywhere.  
Easy and smooth operation with  
small hand-pull force.  
Wide internal diameter of hooks expands  
the range of applications.



Easy installation  
in higher positions!  
Wide internal diameter of hook  
for easier hookups!



Rated Load  
(W.L.L)  
**250 kg**

## CX003 Features

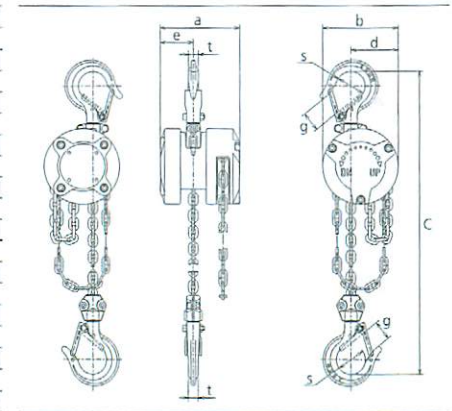
Mass  
(Net Weight)  
**2.4  
kg**



## Handy Little Hoist with 250Kg!

### ■ Specifications and Dimensions

Rated load (W.L.L.)	(kg) [t]	250 [0.25]
Product Code		CX003
Standard lift	(m)	2.5
Standard Length of Hand Chain (Folded)	(m)	2
Pull to Lift Full Load *1	(N) [kgf]	147 [15]
Chain O'hauled to Lift Load One Meter	(m)	33.8
Load Chain Diameter (mm) x Chain Fall Lines (mm)		3.2x1
Test Load	(kg)	380
Mass (Net Weight) *2	(kg)	2.4
Shipping weight	(kg)	2.6
Mass (Weight) for Additional One Meter of Lift (kg/m)		0.4
Dimensions (mm)	a	88
	b	84
	C	217
	d	53
	e	37
	g	21
	s	32
	t	11



\*1: Average pull to lift the rated load.  
\*2: The Mass (Net Weight) is for the standard lift.

### ■ Operating environmental conditions

Operating temperature range  
-40°C to +60°C

Operating humidity range  
Use the hoist at under 100%RH.  
This product cannot be used in water

Materials  
Standard materials are used. Special materials such as sparkless materials and asbestos are not used.  
With regard to the environmental load substances, 6 substances defined in the RoHS directives are not contained in this product.